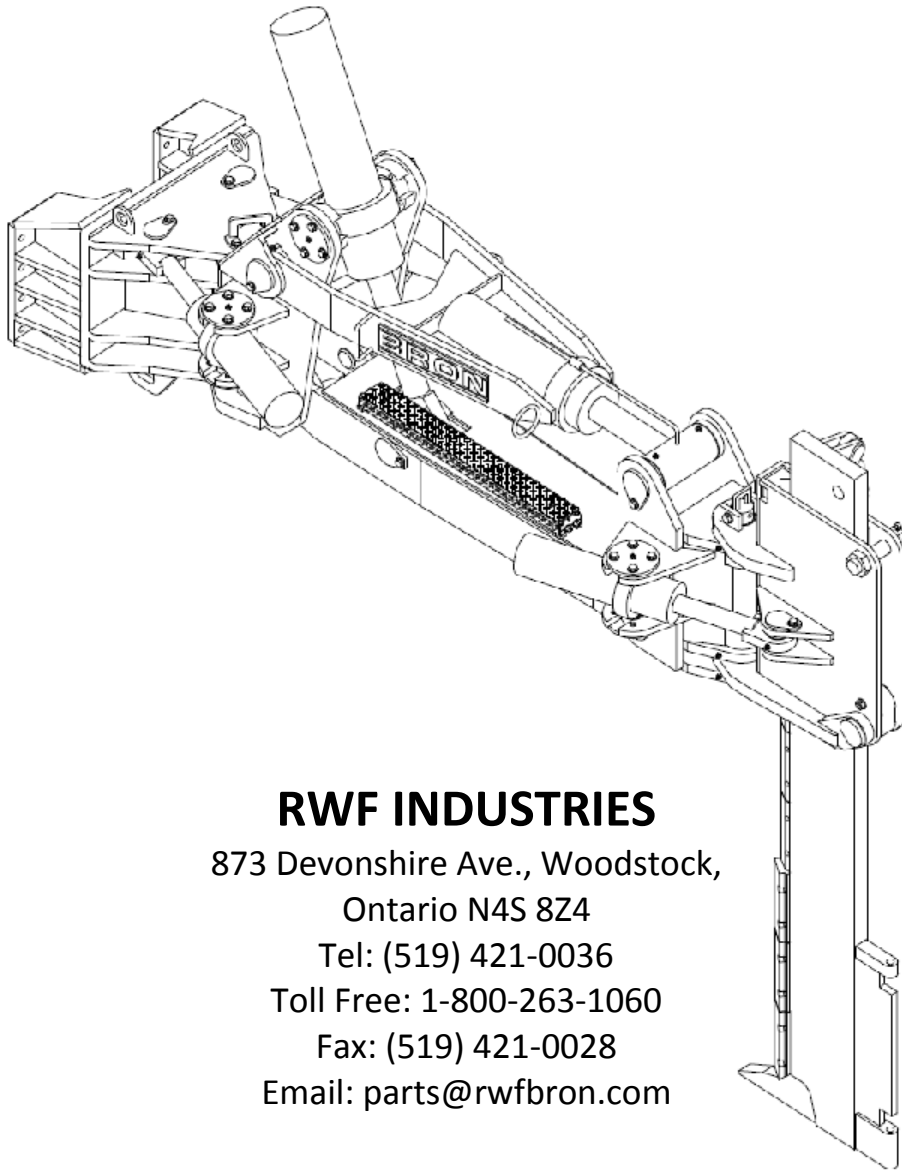


RWF BRON

HS0 PLOW PARTS MANUAL



RWF INDUSTRIES

873 Devonshire Ave., Woodstock,
Ontario N4S 8Z4

Tel: (519) 421-0036

Toll Free: 1-800-263-1060

Fax: (519) 421-0028

Email: parts@rwfbron.com

GENERIC PARTS MANUAL

JANUARY 2015

THE INFORMATION CONTAINED IN RWF BRON PARTS AND OPERATOR'S MANUALS IS NOT TO BE REPRODUCED OR DISTRIBUTED TO ANY PERSON OTHER THAN THE INTENDED RECIPIENT

PLOW BREAKDOWN

TABLE OF CONTENTS

***BACKPLATE* 1**

***FRONT MAST* 2**

***UPPER LINK / ATTITUDE CYLINDER*..... 3**

***LOWER LINK*..... 4**

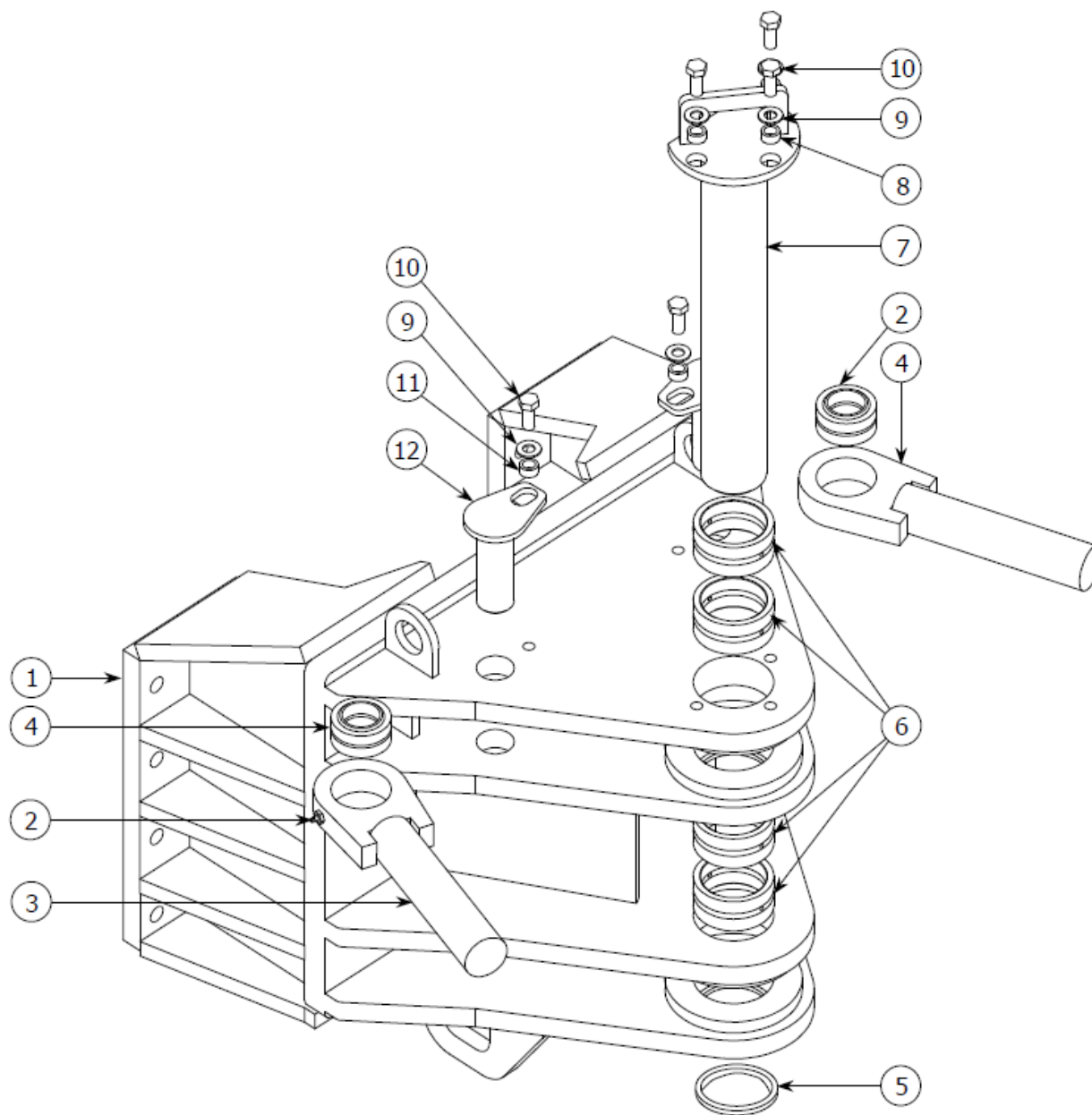
***REAR MAST*..... 5**

***BLADE HOLDER* 6**

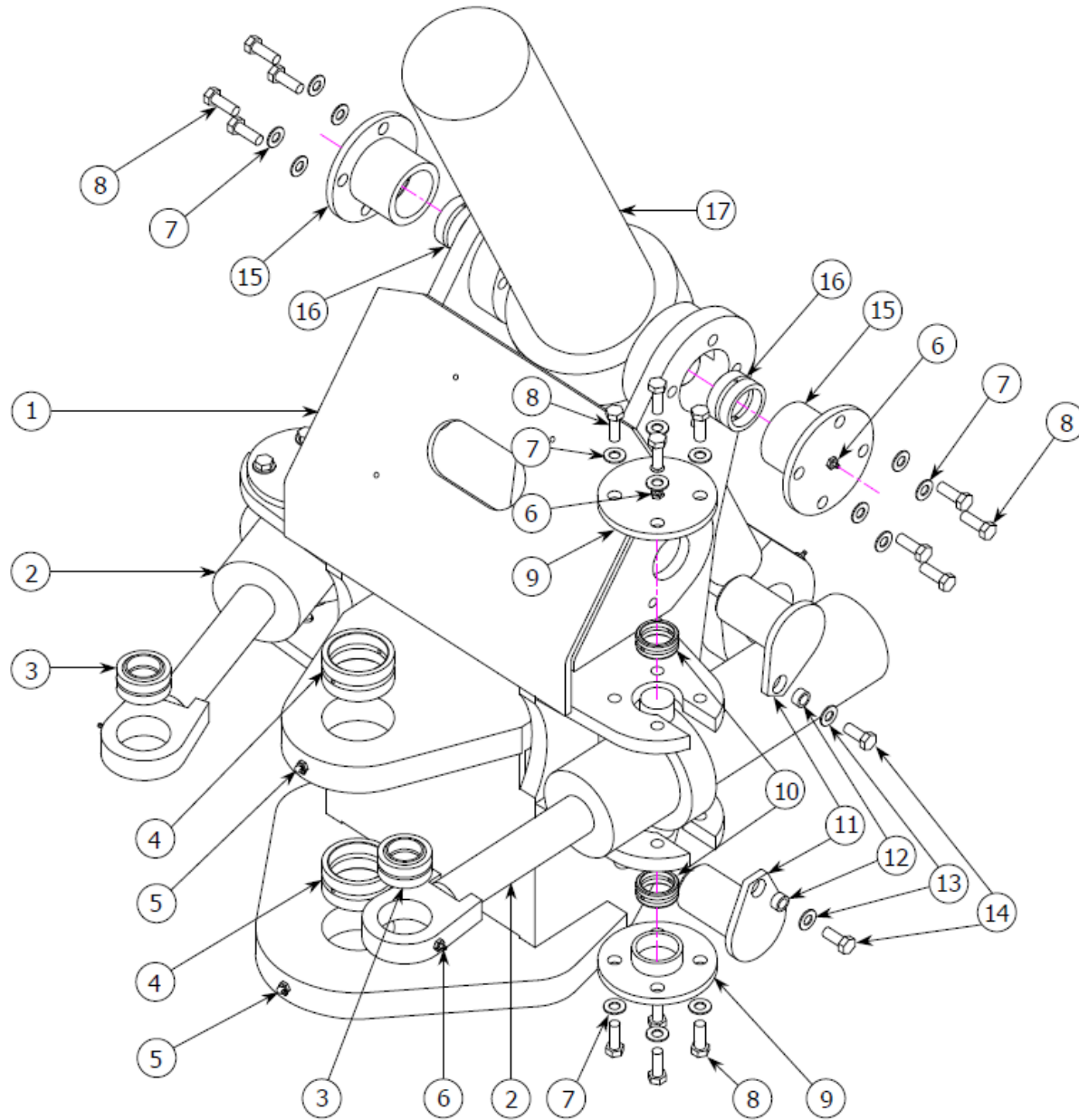
***SWING CYLINDER*..... 7**

***LIFT CYLINDER*..... 8**

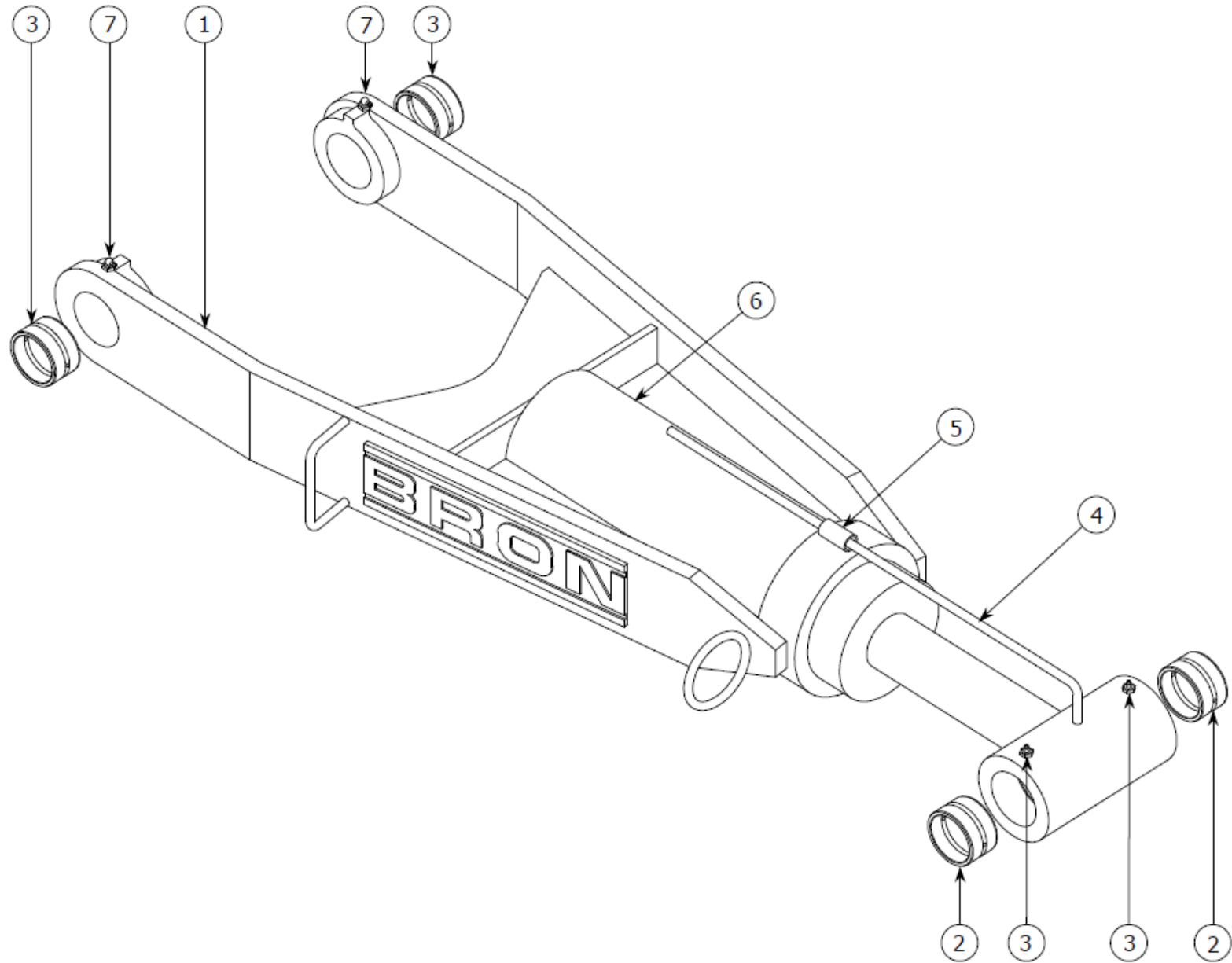
***BLADE LOCK CYLINDER*..... 9**



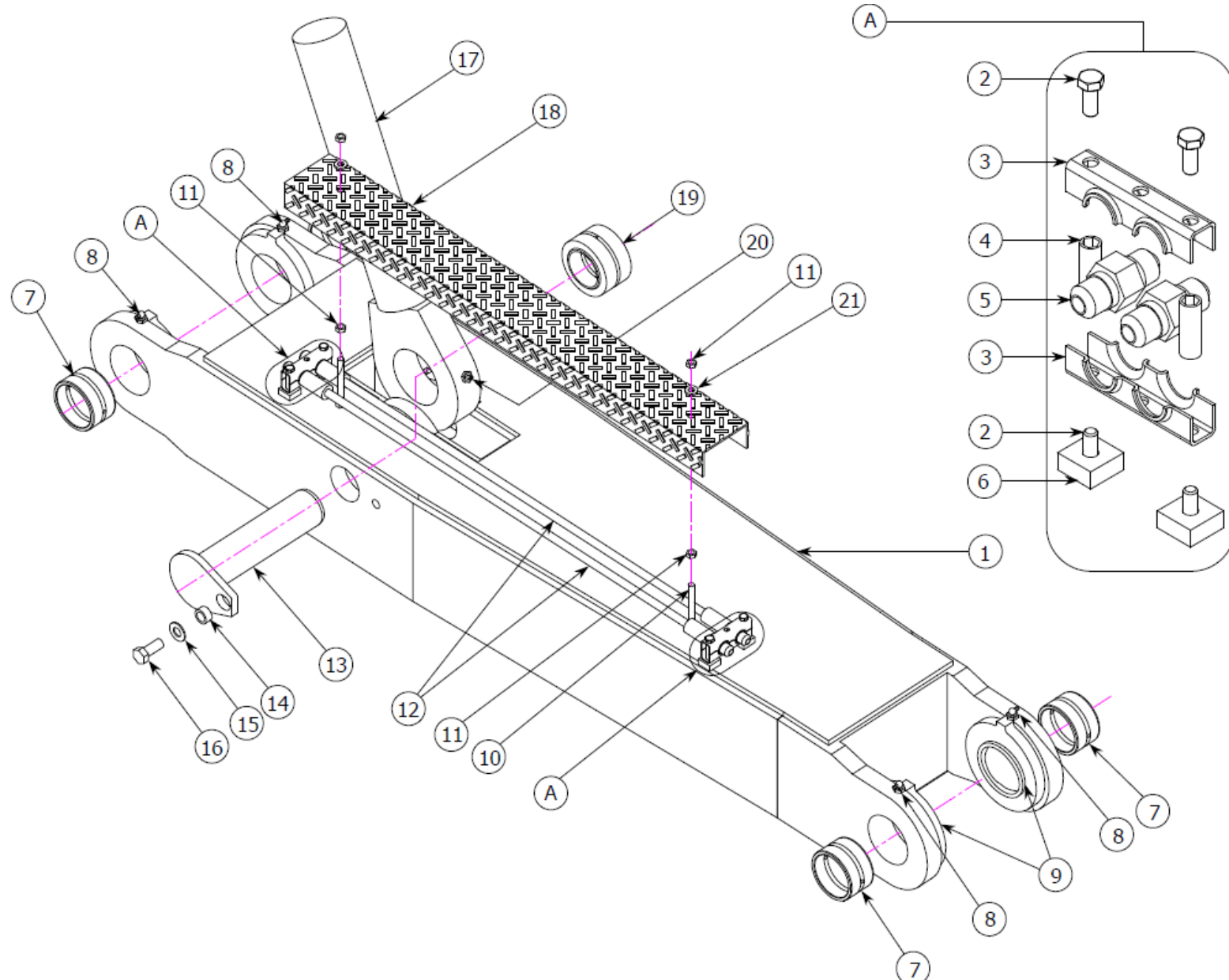
Item	Quantity	Part Number	Description
1	1	VARIOUS	BACKPLATE ASSEMBLY
2	2	80680	STRAIGHT GREASE FITTING
3	2	12232	SWING CYLINDER (SEE SECTION 7 FOR ASSEMBLY BREAKDOWN)
4	2	15459	BUSHING
5	2	13033	RETAINER PLATE
6	4	12025	SWIVEL BUSHING
7	1	12973	PIN ASSEMBLY
8	3	114862	BUSHING
9	5	80555	WASHER
10	5	80090	HEX HEAD BOLT
11	2	115057	BUSHING
12	2	12270	PIN ASSEMBLY



Item	Quantity	Part Number	Description
1	1	40376	FRONT MAST WELDMENT
2	2	12232	SWING CYLINDER (SEE SECTION 7 FOR ASSEMBLY BREAKDOWN)
3	2	15459	SWIVEL BUSHING
4	2	12025	BUSHING
5	2	80682	90° GREASE FITTING
6	9	80680	STRAIGHT GREASE FITTING
7	24	80569	WASHER
8	24	80110	HEX HEAD BOLT
9	4	12975	SWING CYLINDER TRUNNION
10	4	15179	BUSHING
11	4	12273	PIN ASSEMBLY
12	4	114862	BUSHING
13	4	80555	WASHER
14	4	80091	HEX HEAD BOLT
15	2	12976	TRUNNION
16	2	12017	BUSHING
17	1	12236	MAIN LIFT CYLINDER



Item	Quantity	Part Number	Description
1	1	30327	UPPER LINK WELDMENT
2	4	15181	BUSHING
3	2	80680	STRAIGHT GREASE FITTING
4	1	16796	INDICATOR ROD
5	1	16793	INDICATOR GUIDE
6	1	12244	ATTITUDE CYLINDER
*	1	12226	<ul style="list-style-type: none"> • BARREL WELDMENT
*	1	12480	<ul style="list-style-type: none"> • STOVER NUT
*	1	12304	<ul style="list-style-type: none"> • PISTON
*	1	12330	<ul style="list-style-type: none"> • ROD WELDMENT
*	1	12254	<ul style="list-style-type: none"> • GLAND
*	1	12496	<ul style="list-style-type: none"> • SEAL KIT
7	2	80682	90° GREASE FITTING

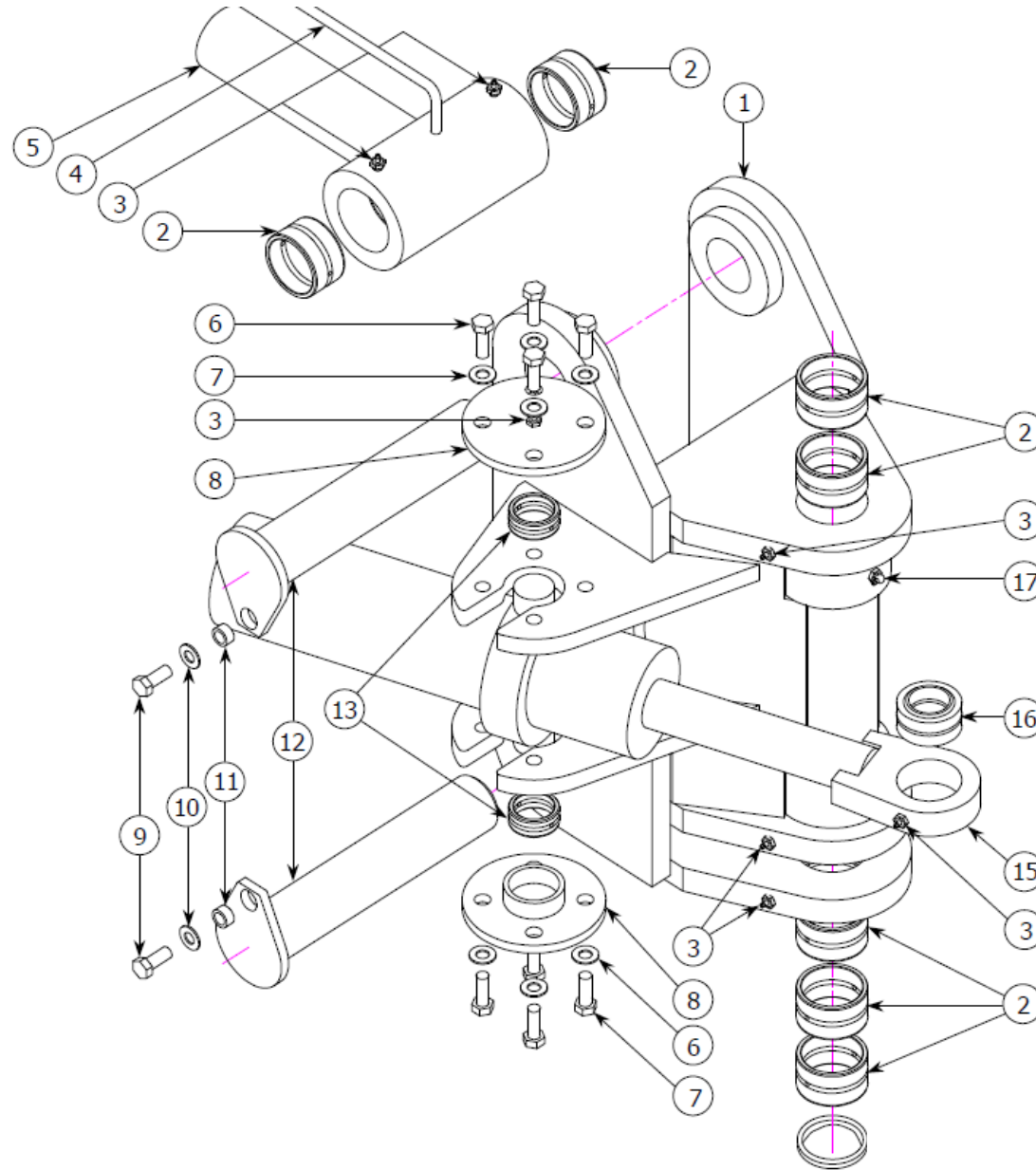


4 LOWER LINK (40390)

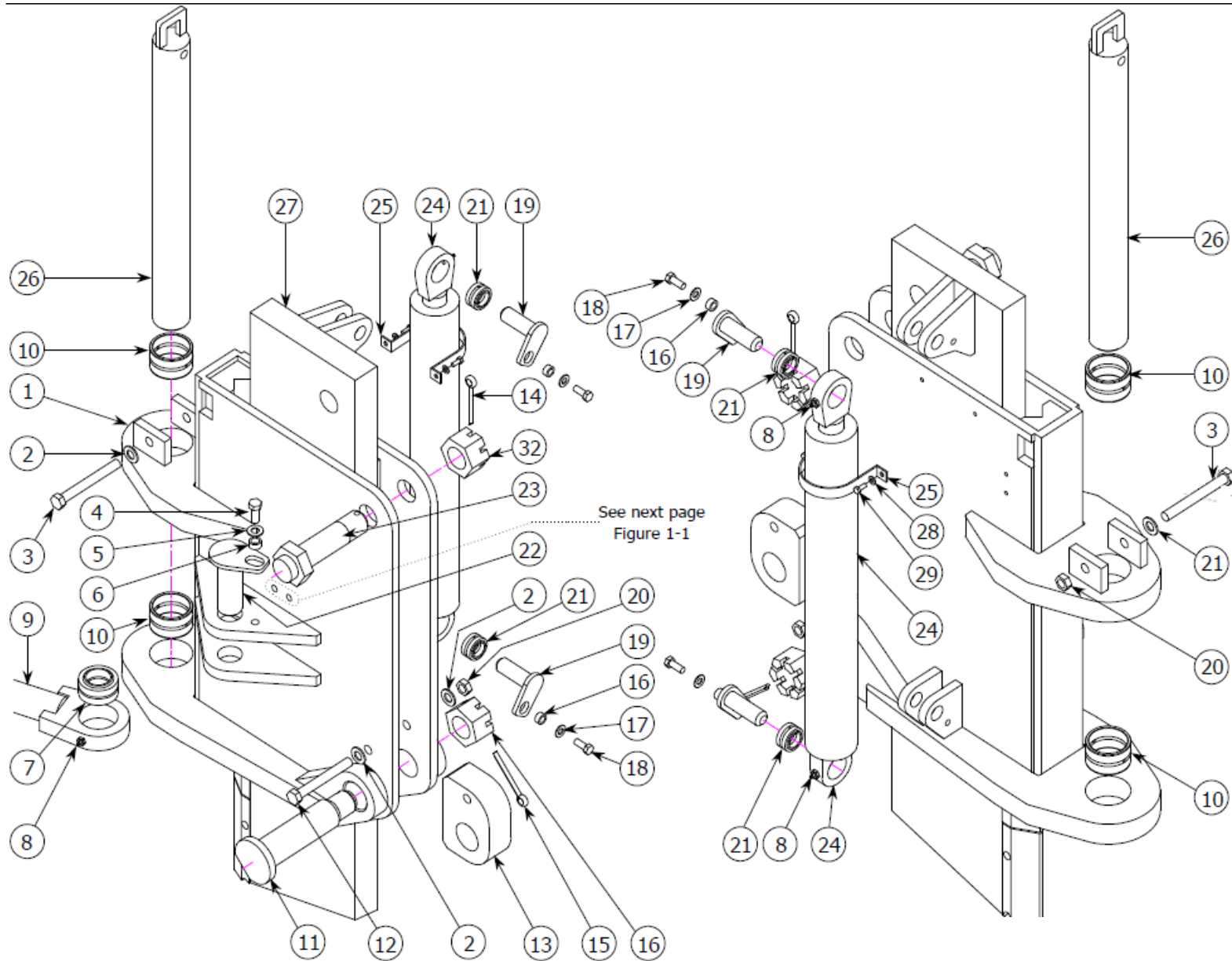
HS0

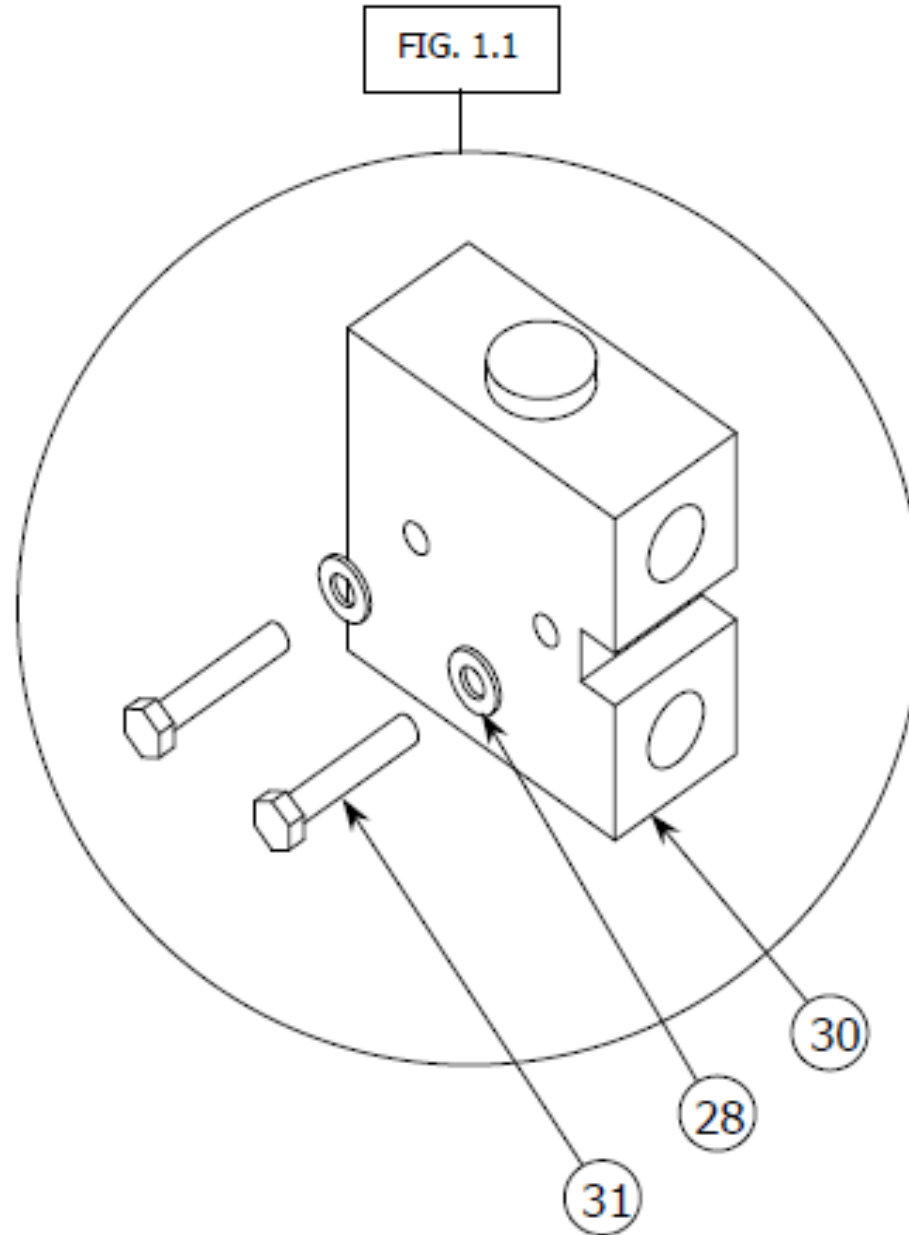
PARTS MANUAL

Item	Quantity		Part Number	Description
	Fixed Pin	Hydraulic Adjustable		
1		1	40390	LOWER LINK WELDMENT
2	8	16	80014	HEX HEAD BOLT
3	2	4	90890	CLAMPING UNIT (INCLUDES TOP & BOTTOM)
4	4	8	90891	STACKING NUT
5	4	8	90894	JUNCTION ADAPTER
6	4	8	90893	WELD ADAPTER
7		4	15181	BUSHING
8		4	80682	90° GREASE FITTING
9		2	REF	RETAINING PLATE
10	2	4	80039	HEX HEAD BOLT
11	4	8	80502	NUT
12	2	4	13167	TUBE ASSEMBLY
13		1	12969	PIN ASSEMBLY
14		1	114862	BUSHING
15		1	80581	WASHER
16		1	80090	HEX HEAD BOLT
17		1	12236	MAIN LIFT CYLINDER (SEE SECTION 8 FOR ASSEMBLY BREAKDOWN)
18	1	2	13176	GUARD
19		1	12003	BUSHING
20		1	80680	STRAIGHT GREASE FITTING
21		2	80568	LOCK WASHER

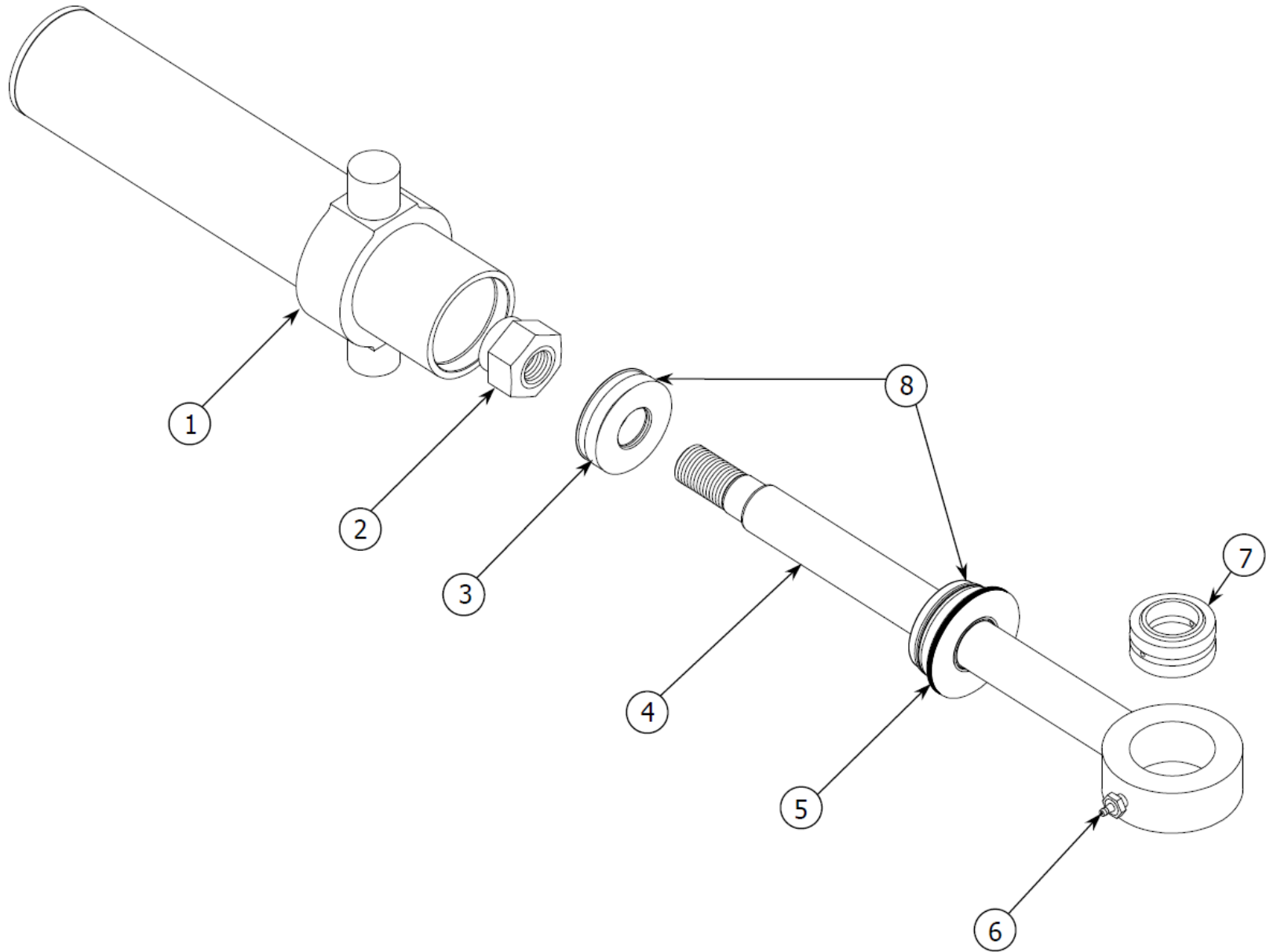


Item	Quantity	Part Number	Description
1	1	40379	REAR MAST WELDMENT
2	7	15181	BUSHING
3	8	80680	STRAIGHT GREASE FITTING
4	1	11796	INDICATOR
5	1	12244	ATTITUDE CYLINDER
6	8	80110	HEX HEAD BOLT
7	8	80569	WASHER
8	2	12975	SWING CYLINDER TRUNNION
9	2	80091	HEX HEAD BOLT
10	2	80555	WASHER
11	2	114862	BUSHING
12	2	12276	PIN ASSEMBLY
13	2	15179	BUSHING
14	1	13033	RETAINER PLATE
15	1	12232	SWING CYLINDER (SEE SECTION 7 FOR ASSEMBLY BREAKDOWN)
16	1	15459	SWIVEL BUSHING
17	2	80682	90° GREASE FITTING





Item	Quantity	Part Number	Description
1	1	31279	BLADE HOLDER WELDMENT
		40380	BLADE HOLDER FIXED PIN
2	2	80569	WASHER
3	1	80124	HEX HEAD BOLT
4	1	80090	HEX HEAD BOLT
5	1	80555	WASHER
6	1	115057	BUSHING
7	1	15459	SWIVEL BUSHING
8	3	80680	STRAIGHT GREASE FITTING
9	1	12232	SWING CYLINDER (SEE SECTION 7 FOR ASSEMBLY BREAKDOWN)
10	2	15181	BUSHING
11	1	12982	PIN ASSEMBLY
12	1	80121	HEX HEAD BOLT
13	1	14811	SPACER BAR
14	2	80660	COTTER PIN
15	1	80544	CASTLE NUT
16	2	114862	BUSHING
17	2	80567	WASHER
18	2	80070	HEX HEAD BOLT
19	2	12977	PIN ASSEMBLY
20	1	80506	NUT
21	2	12981	SWIVEL BUSHING
22	1	10493	PIN ASSEMBLY
23	1	10710	PIN ASSEMBLY
24	1	12910	LIFT CYLINDER (SEE SECTION 8 FOR ASSEMBLY BREAKDOWN)
25	1	13175	GUARD
26	1	12963	PIN ASSEMBLY
27	1	VARIOUS	BLADE
28	4	80564	LOCK WASHER
29	2	80014	HEX HEAD BOLT
30	1	13161	DOUBLE LOCK VALVE
31	2	80020	HEX HEAD BOLT
32	1	81544	CASTLE NUT

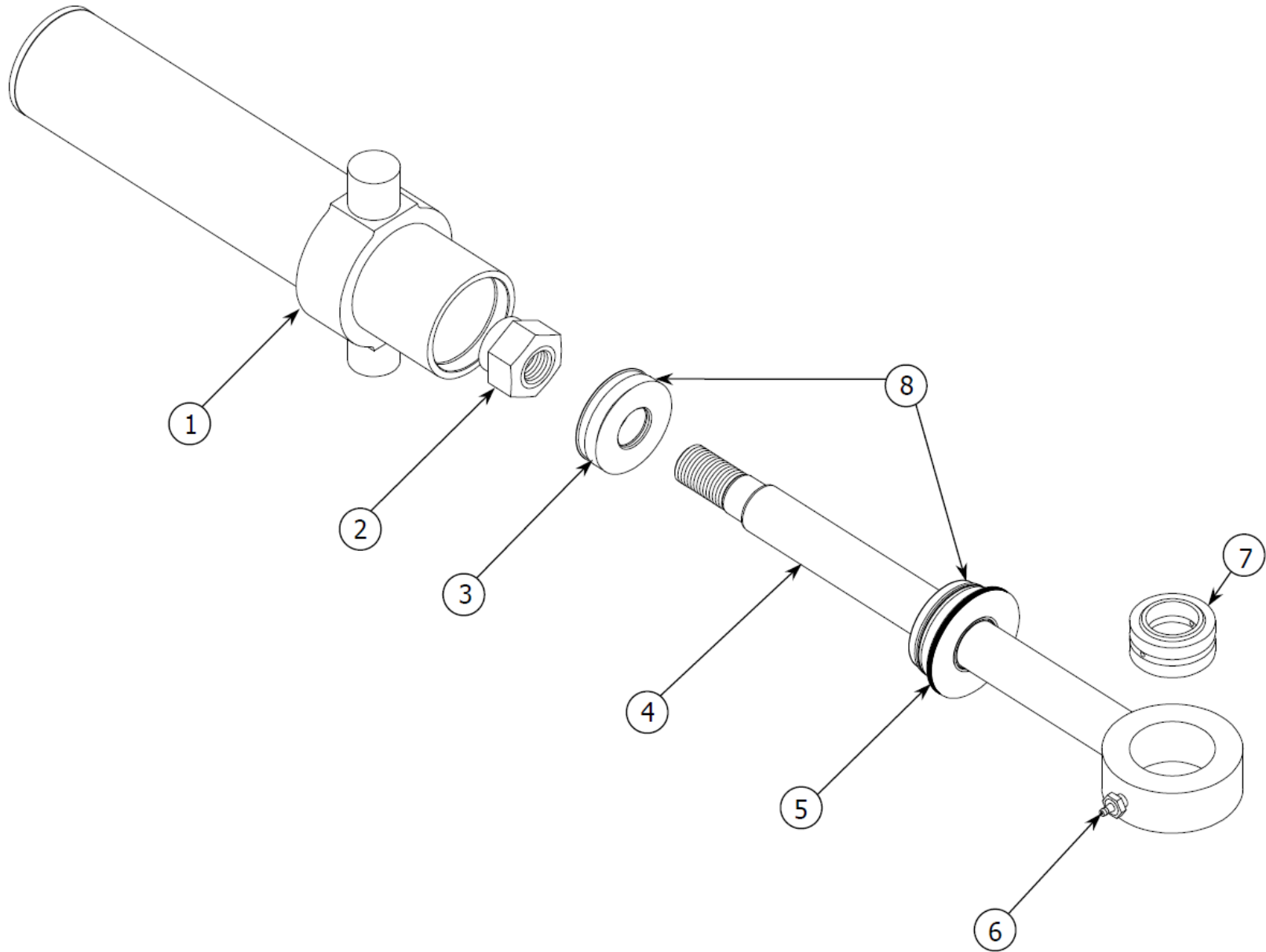


7 SWING CYLINDER (12232)

HS0

PARTS MANUAL

Item	Quantity	Part Number	Description
1	1	12214	BARREL WELDMENT
2	1	10716	STOVER NUT
3	1	12300	PISTON
4	1	12318	ROD WELDMENT
5	1	12250	GLAND
6	1	80680	STRAIGHT GREASE FITTING
7	1	15459	SWIVEL BUSHING
8	1	12495	SEAL KIT
9	3	12232	SWING CYLINDER

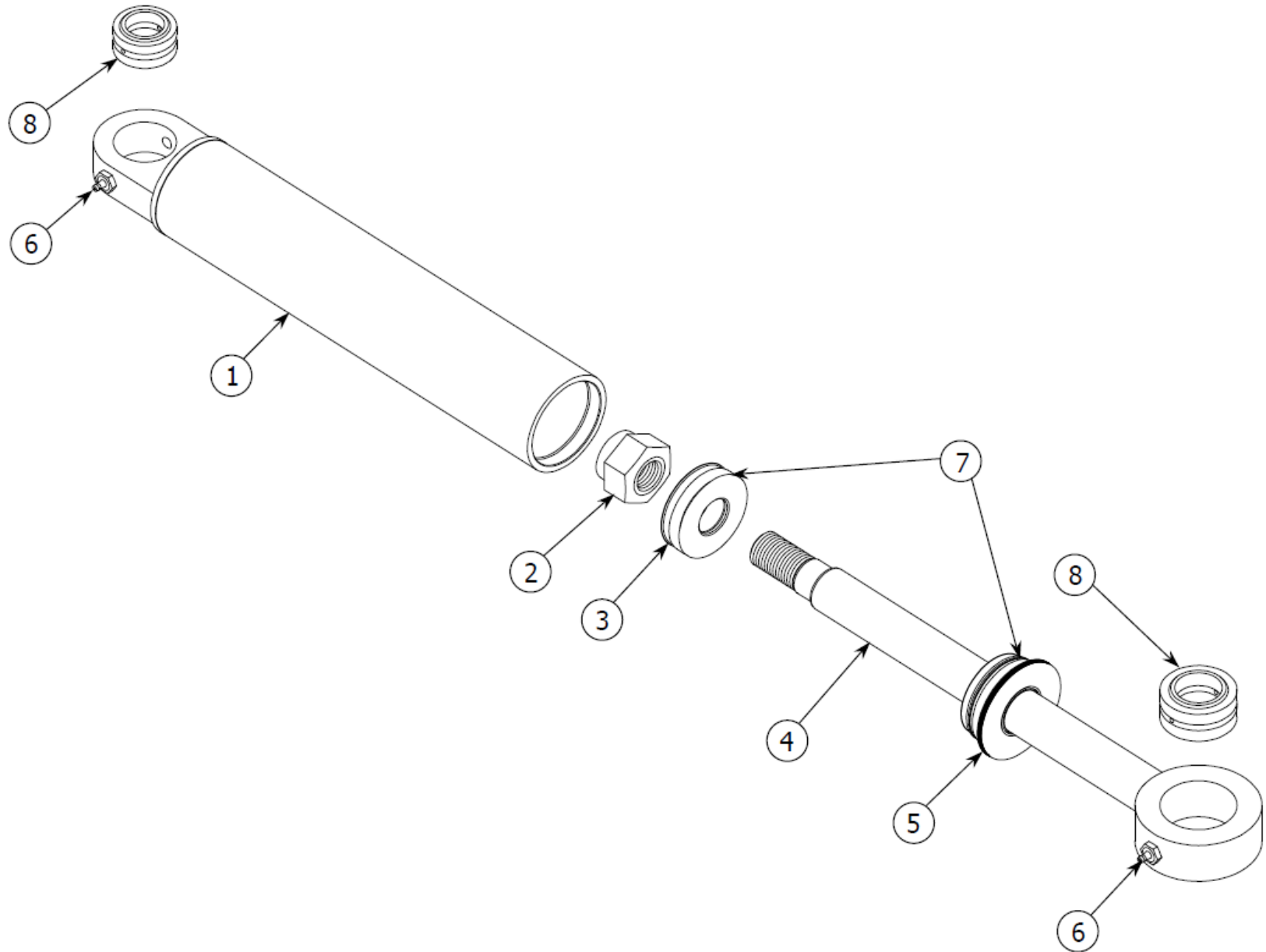


8 MAIN LIFT CYLINDER (12236)

HS0

PARTS MANUAL

Item	Quantity	Part Number	Description
1	1	12218	BARREL WELDMENT
2	1	12480	STOVER NUT
3	1	12304	PISTON
4	1	12322	ROD WELDMENT
5	1	12254	GLAND
6	1	80680	STRAIGHT GREASE FITTING
7	1	12003	SWIVEL BUSHING
8	1	12496	SEAL KIT
9	1	12236	MAIN LIFT CYLINDER



Item	Quantity	Part Number	Description
1	1	13446	BARREL WELDMENT
2	1	10719	STOVER NUT
3	1	13448	PISTON
4	1	13447	ROD WELDMENT
5	1	13449	GLAND
6	2	80680	STRAIGHT GREASE FITTING
7	1	13450	SEAL KIT
8	2	12981	SWIVEL BUSHING
9	1	12910	BLADE LOCK CYLINDER